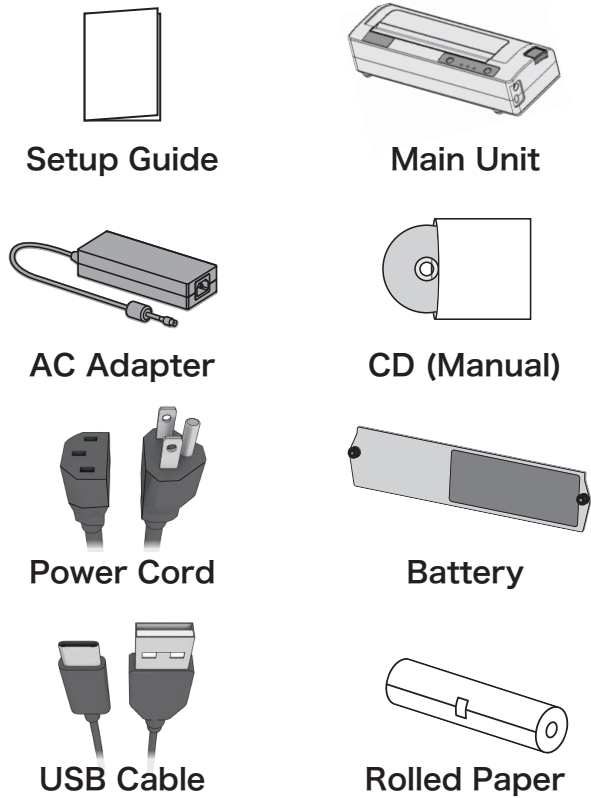


What's Included



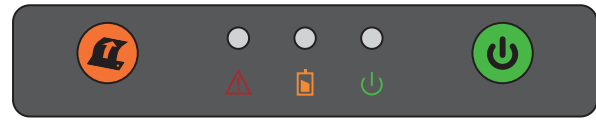
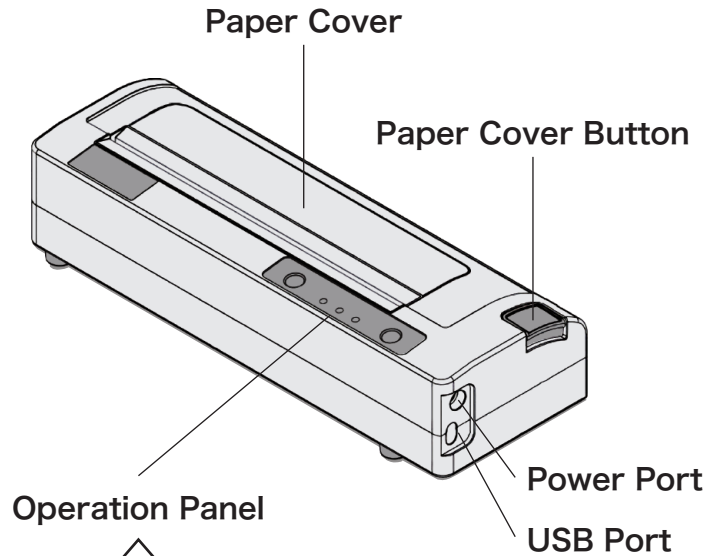
Using Battery



Battery

Bottom-side

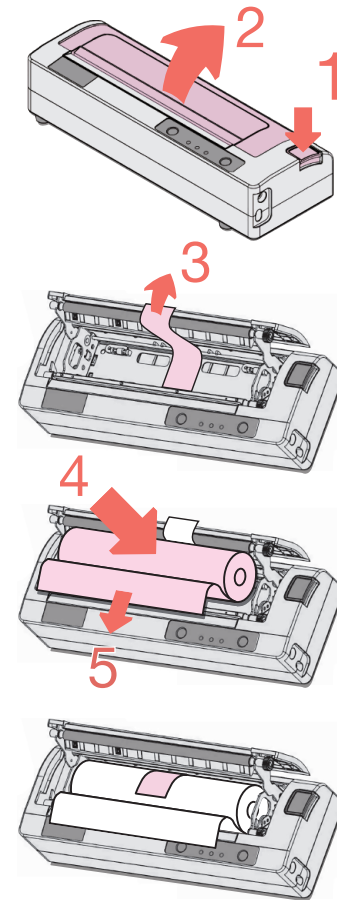
Main Unit



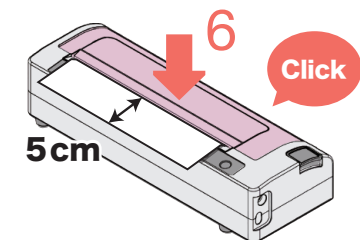
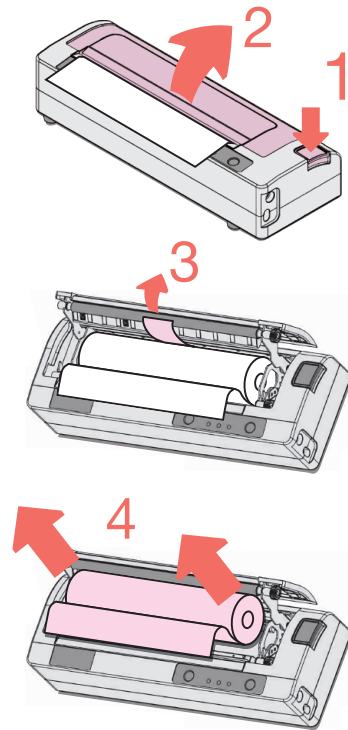
- Lamps
- ... Error
 - ... Battery
 - ... Power & Status

Using Rolled Paper

Install



Eject



Place Main Unit bottom side up and insert battery as shown. Turn screws to fix battery firmly.

Plug in the AC power adapter to the Power port to charge the printer. The Battery lamp will show solid ON while charging.

New batteries are shipped in an "uncharged" state and must be charged for at least 4 hours prior to the first use. Maximum battery capacity is not reached until after completing a minimum of 3 complete charge and discharge cycles.